



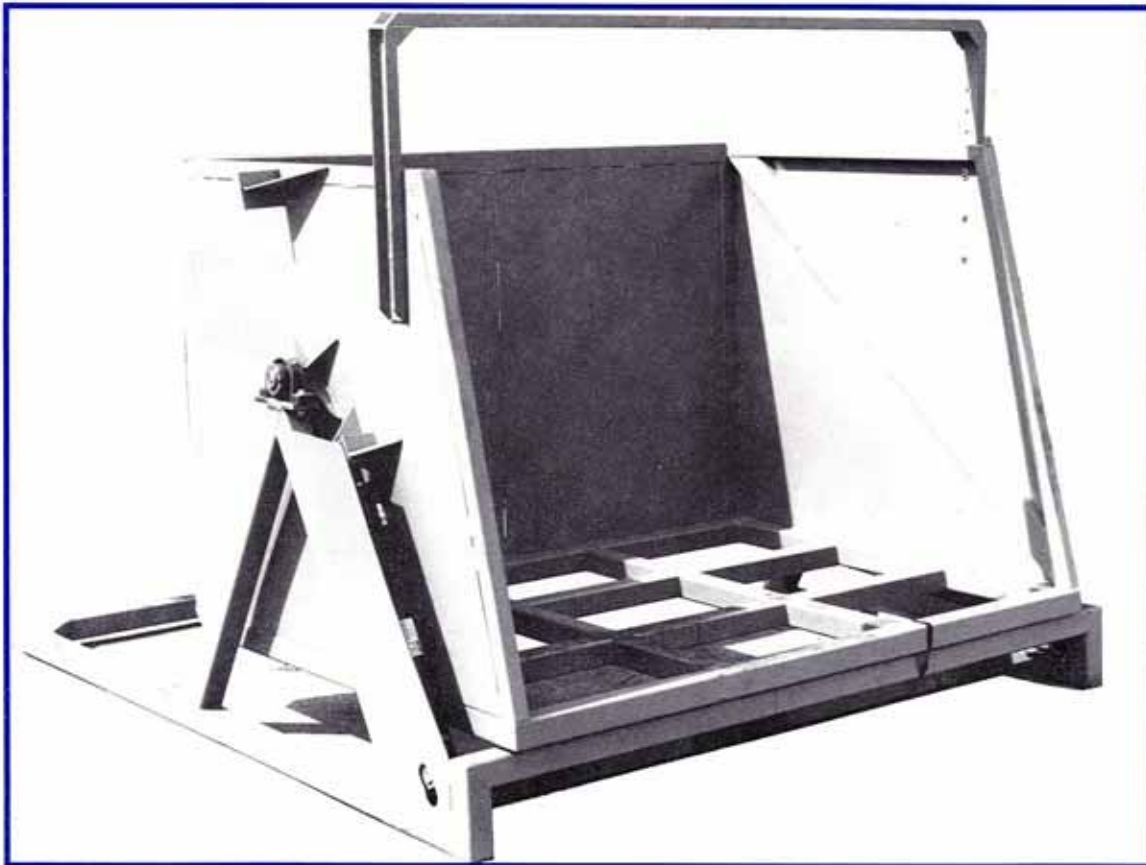
# TNT Manufacturing LLC

Food Process Equipment Sales, Engineering & Service

908 Harvard Drive  
Sun Prairie, WI 53590  
tntmanufacturing@charter.net  
www.tntmanufacturing.biz

(414) 870-2422 Sales & Service  
(608) 669-4720 Administrative  
(608) 318-0981 Fax

## MODELS 204 & 205 CRATE DUMPERS



### CONSTRUCTION

Sturdy construction insures long life. Either mild or stainless steel of 3" square structural tubing.

### DRIVE

Consists of a 2 HP electric motor which powers the hydraulic pump. This in turn operates the cylinders.

### SANITATION

The frame is open construction so as not to trap foreign materials. Continuous welds eliminate cracks and crevices for easy cleaning.

### ENERGY

A minimum is used as the crate is pivoted at the center rather than lifting it totally.

# MODEL 204 & 205 CRATE DUMPERS

## SPECIFICATIONS

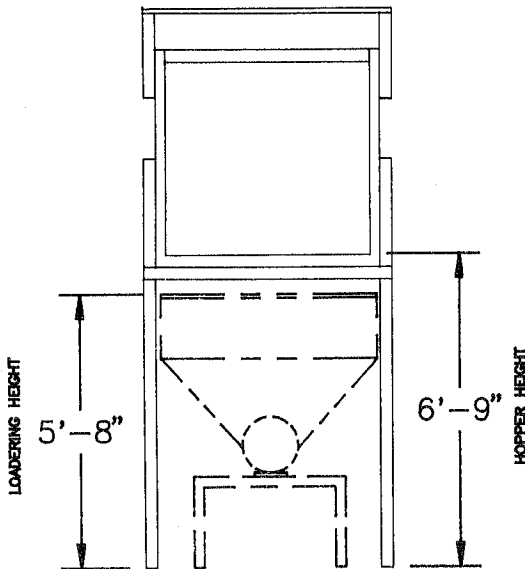
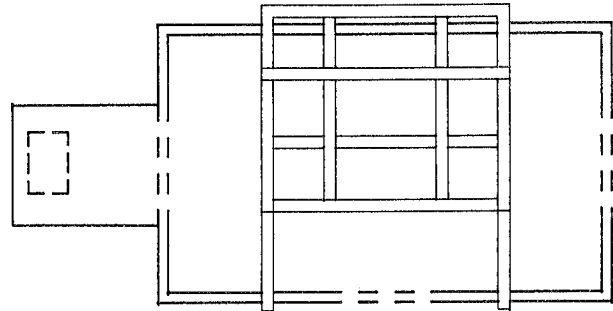
Width . . . . . 69 1/4"

Length . . . . . 76"

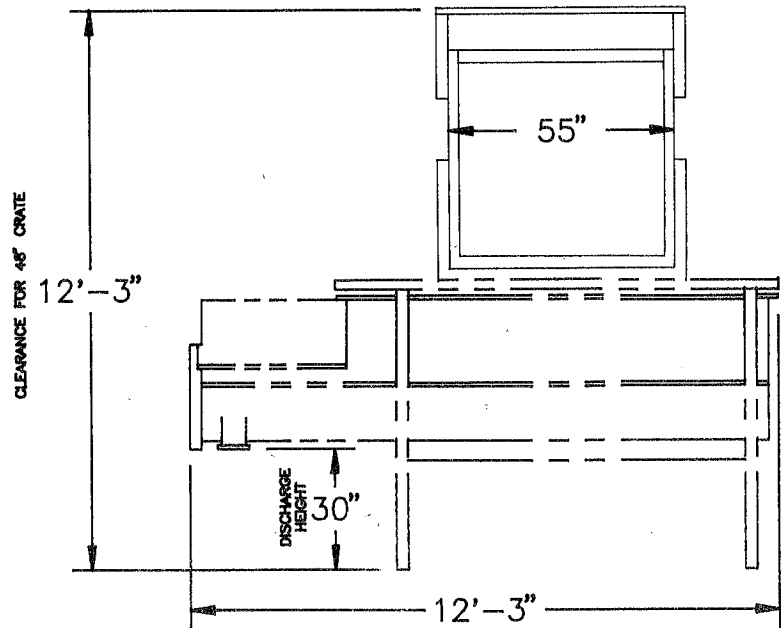
Height . . . . . 54"

Motor . . . . . 2 HP, 230/460 Volt, 3  
Phase, 60 Cycles.

CRATE DUMPER CAN BE MOUNTED SO THAT IT  
CAN BE LOADED FROM EITHER SIDE OR THE END  
OF THE HOPPER.



MODEL 205 STRADDLES OTHER HOPPERS



MODEL 204 MOUNTS ON KUSEL HOPPERS

## TNT Manufacturing LLC

Food Process Equipment Sales, Engineering & Service

908 Harvard Drive  
Sun Prairie, WI 53590  
tntmanufacturing@charter.net

(414) 870-2422 Sales & Service  
(608) 669-4720 Administrative  
(608) 318-0981 Fax

[www.tntmanufacturing.biz](http://www.tntmanufacturing.biz)